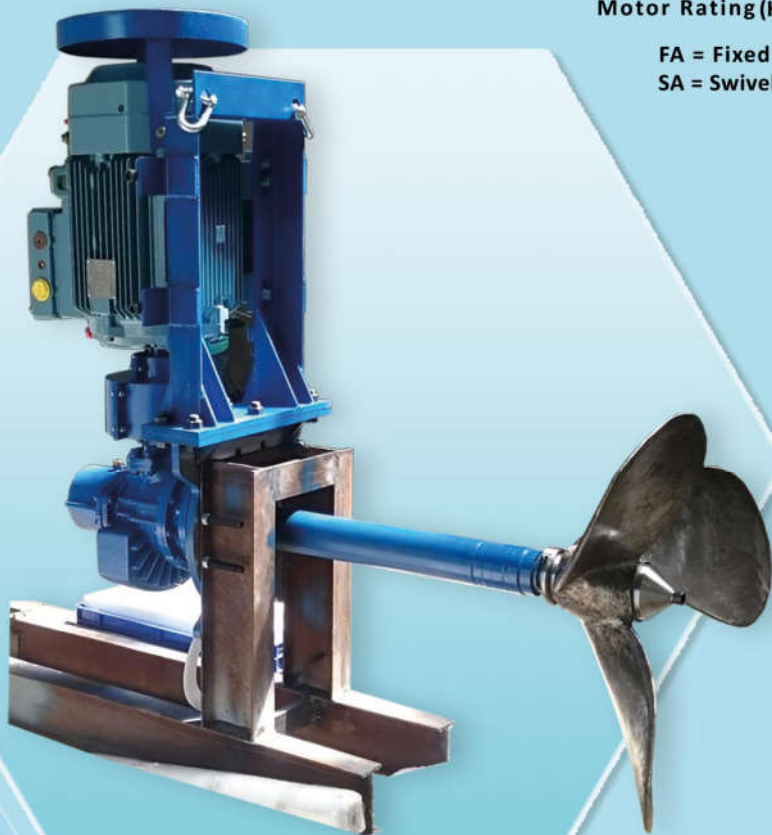


Side Entry Tank Mixers :

The Part Arya Side Entry Mixer is the most efficient converter of energy into fluid motion. Unlike jet mixer systems, do not suffer significant energy losses at the pump, in the pipework, in the bends, or most significantly, at the jet Nozzles, Also capital costs are lower and access to internal in-tank components is not restricted, while the problem of frequent, urgent maintenance on tanks that must be emptied and cleaned, is eliminated. Side Entry mixers are also more efficient than top entry mixers, and are significantly less expensive for larger diameter tanks. A properly selected side entry mixer, complete with a reliable shut off device and high efficiency impeller out performs all other mixing devices.

All Part Arya Side Entry mixers have designated model numbers in line with the following example :



22-FA-GD-800

Motor Rating (KW)

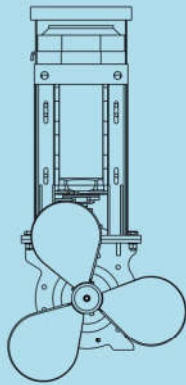
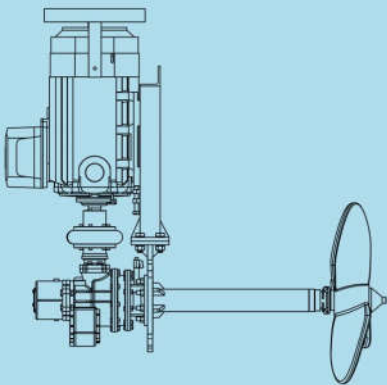
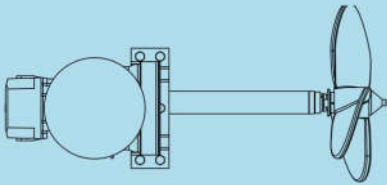
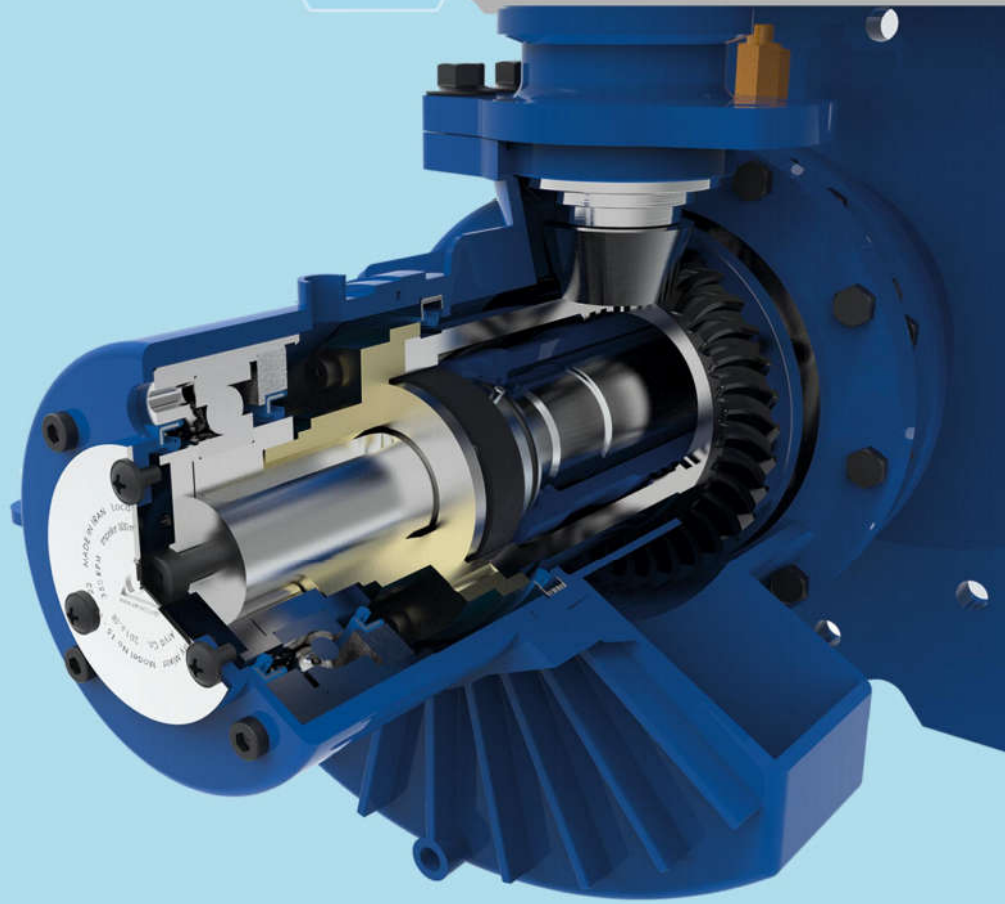
Impeller Diameter (mm)

FA = Fixed Angle

GD = Gear Drive

SA = Swivel Angle

BD = Belt Drive



Features:

- Designed exclusively for use in petroleum service.
- Standard and Special materials such as stainless steel wetted parts or other exotic materials may be provided to suit individual requirements.
- Advanced one-piece cast impeller design.
- All units incorporate a tank shut-off device to allow the shaft, mechanical seal and bearings to be changed under full tank conditions.
- All Part Arya Side Entry mixers can be supplied to comply with client requested Explosive Atmosphere directive, including motor and standard belt Covers.